

CF36 – Shot flow measurement system

Technical specifications



The Wheelabrator calibration unit CF 36 type is the unique device available in the worldwide providing an accurate shot flow measurement for airblast applications.

The original design enables to measure the media flow for shot peening and surface preparation. It can be used for almost media sizes and materials.

Key features include its compact size ease to transport, its completely automatic mode and a stand-alone system.

Features

- Type of media:
 - Steel shot (S70 to S 660)
 - Cut wire
 - Glass bead >100µ
 - Ceramic > 50µ
 - Aluminium oxide
- Measurement capacity: up to 20 kg/min for steel shot
- Measurement resolution: 5 g
- Measurement precision: 10 g
- Measurement time basis: 30, 60, 120 seconds
- Timing accuracy: < 0.2 sec.
- Delivered with transport trolley

Operating mode

Setting-up of the device into the machine, fixing of the nozzle to be controlled at the upper part and connection of the machine to its control unit.

The shot blasting to the chosen parameters is activated from the machine main board. It's recommended to let the flow stabilize before taking the measures. The under pressure shot flow is previously cycloned.

At the bottom of the cyclone, a by-pass directs the depressurized shot flow:

- either towards the machine recovery (by-pass inactivated)
- or towards the inner weighing cup equipped with a directed emptying valve (by-pass activated)

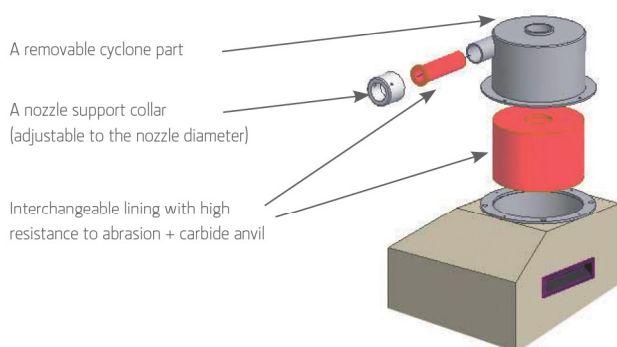
A short press on the button «Measurement» launches the following phases:

1. automatic tare
2. Locking of the weighing cup emptying valve
3. by-pass activation at the time programmed (30,60, or 120 sec)
4. Warning lights activated «Valid measure»

A short press on the button «Reset» sets off the emptying of the weighing cup (temporised timing) in the machine recovery.

Note: The emptying is automatic when the machine is switched off or 5 min after the measurement.

Austauschbarer Meßkopf für leichte Wartung



Remote control device



Setting-up of the device inside the machine

For more information please contact:

Wheelabrator Group
24, rue Camille Didier - BP39, F-08001 Charleville-Mézières
T: +33 (0) 324 33 63 21 • F: +33 (0) 324 33 39 37
E: contact@wheelabratorgroup.fr