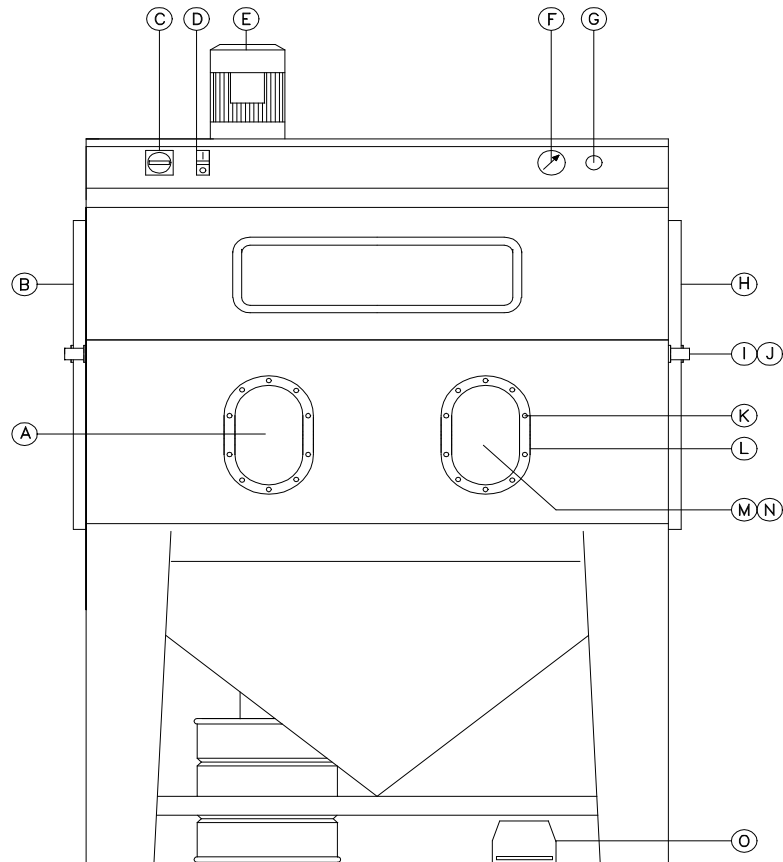
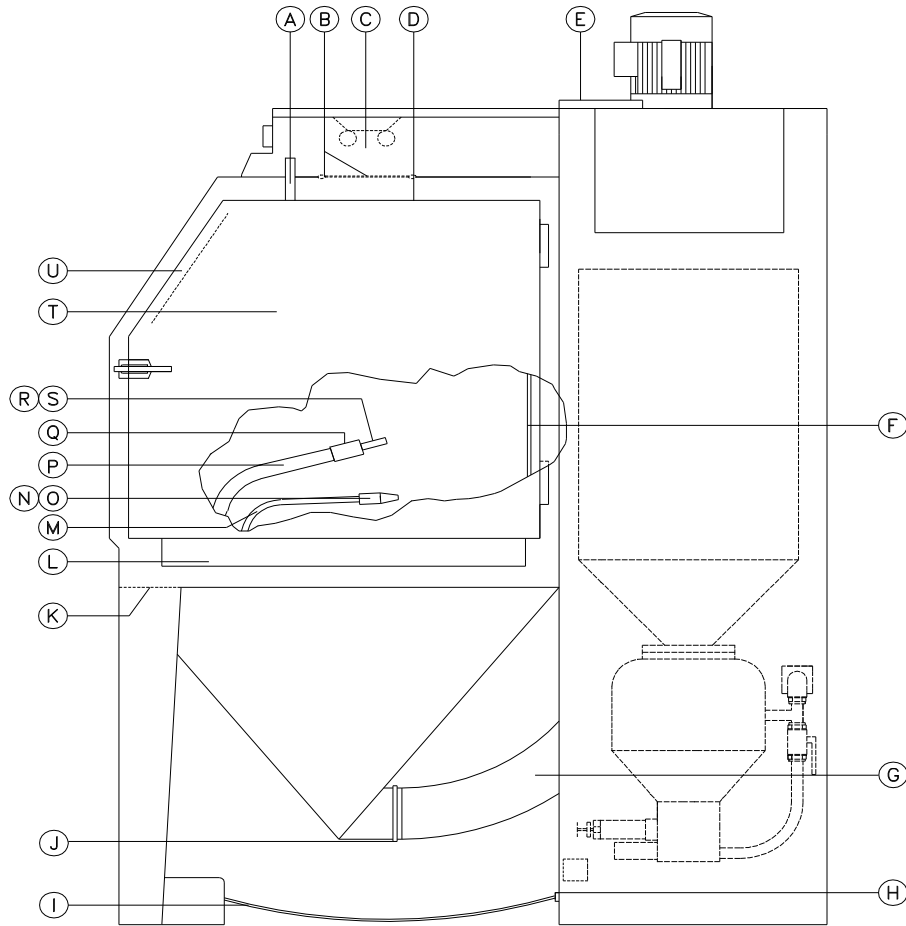


RESERVDIELSLISTA NORMFINISH DP14



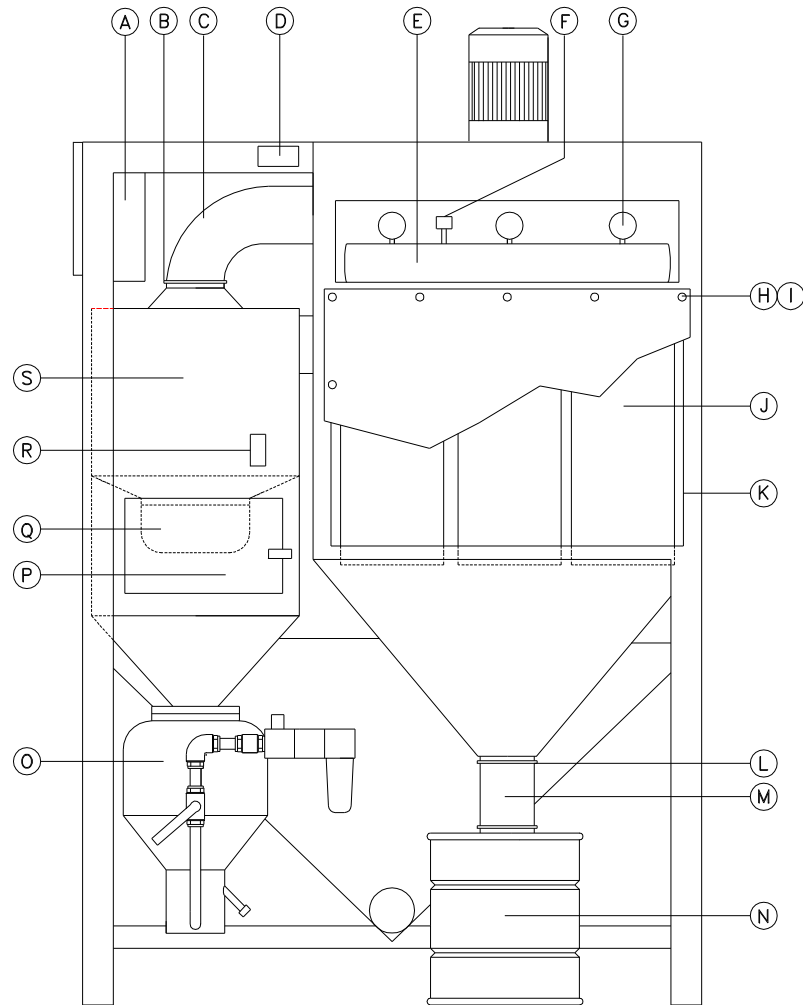
Pos.	Description	Part number	Quantity
1-A	Glove L with lining	401100	1 pc
1-B	Door L complete	400600	1 pc
1-C	Main switch O-I	400101	1 pc
1-D	START / STOP switch	400301	1 pc
1-E	Fan motor 1,5 kW	400200	1 pc
1-F	Gauge blast pressure	400400	1 pc
1-G	Blast pressure regulator (microbit)	400500	1 pc
1-H	Door R complete	400601	1 pc
1-I	Clip for catch lock	400800	2 pc
1-J	Catch lock, without cam	400700	2 pc
1-K	Oval arm hole port	400900	2 pc
1-L	Bolt M6x16 mm	400801	20 pc
	Ring M6	400802	
	Nut M6	400803	
1-M	Glove R with lining	101000	1 pc
1-N	Hose clamp 210-240 mm, for fixing gloves	401101	2 pc
1-O	Foot pedal	401200	1 pc

RESERVDIELSLISTA NORMFINISH DP14



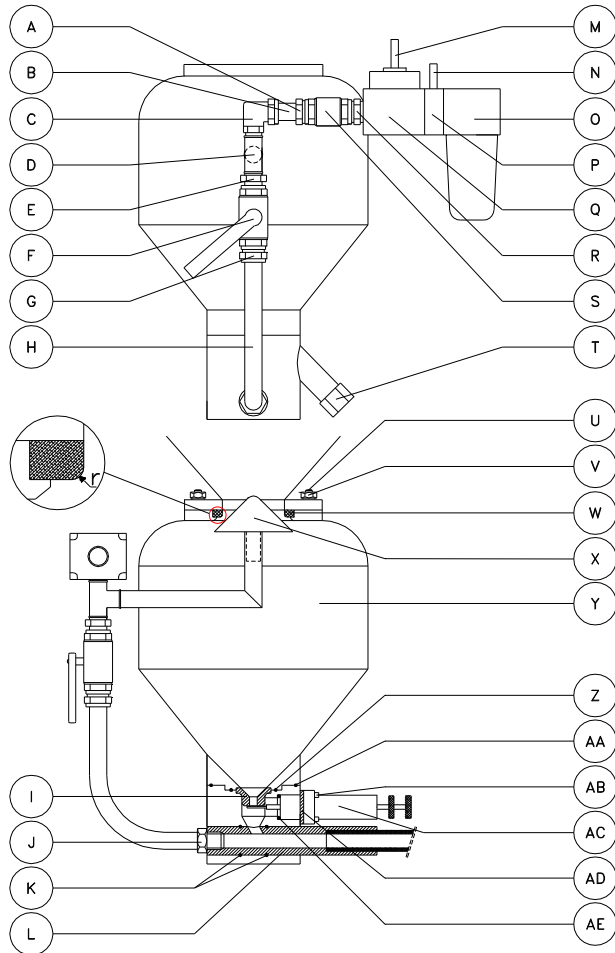
Pos.	Description	Part number	Quantity
2-A	Door security switch	401300	2 pc
2-B	Securit (safety) glass 1200x200 mm	401400	1 pc
2-C	Illumination unit 2x36 W	401500	1 pc
	Fluorescent tube 36 Watt	401501	2 pc
2-D	Window fastening rubber	401600	2,8 m
	String for window fastening rubber	401601	2,8 m
2-E	Air outlet adjust slide	401601	1 pc
2-F	PVC back wall protection (3 mm)	403000	1 pc
2-G	Hose PU Ø 100 mm (l=1,6 m)	402200	1 pc
2-H	Coupling for foot pedal	401201	4 pc
2-I	Hose set for foot pedal	401202	1 pc
2-J	Hose clamp 90-120 mm	402201	2 pc
2-K	Floor grating	402300	1 pc
2-L	Rail panel	402400	1 pc
2-M	Hose Ø 8/14 mm	402600	2,6 m
2-N	Blow-off gun	402500	1 pc
2-O	Nipple	402501	1 pc
2-P	Blast hose 19/30 mm	402100	2,6 m
2-Q	Nozzle holder	402800	1 pc
2-R	Nozzle boron carbide Ø 6 mm	402901	1 pc
	Nozzle boron carbide Ø 8 mm	402902	
	Nozzle boron carbide Ø 10 mm	402903	
2-S	Rubber seal ring	402700	1 pc
2-T	PVC door protection (2 mm)	403200	1,7 m1
2-U	Door seal rubber 25x12	403100	3,6 m

RESERVDIELSLISTA NORMFINISH DP14



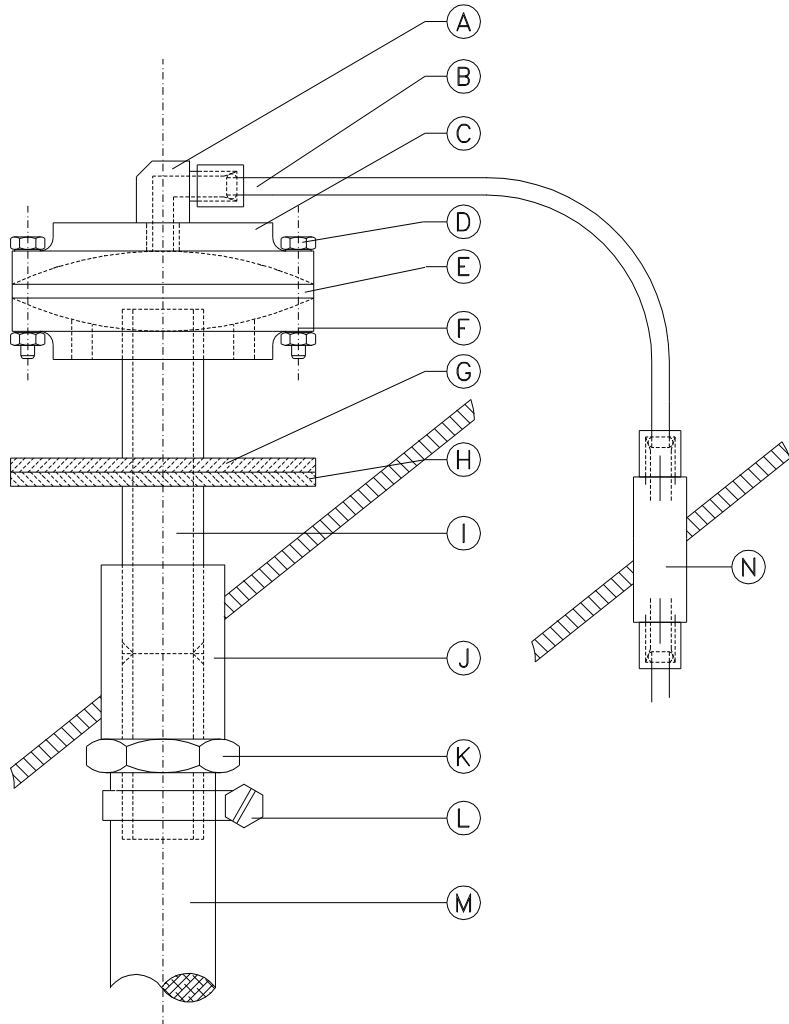
Pos.	Description	Part number	Quantity
3-A	Switch box	403301	1 pc
3-B	Hose clamp 110-140 mm	403501	2 pc
3-C	Hose PU Ø 127 mm	403500	0,4 m
3-D	Normfinish type indication plate	n.v.t.	1 pc
3-E	Pressure vessel	403600	1 pc
3-F	Valve for decompression pressure vessel	404604	1 pc
3-G	Membrane valve ¾" – 24 V	403700	3 pc
3-H	Bolt M8x16 mm	403502	16 pc
3-I	Ring M8	403504	16 pc
3-J	Filter cartridge, polyester	401800	3 pc
3-K	Rubber seal 923	403503	3,5 m
3-L	Hose clamp 110-140 mm	403501	2 pc
3-M	Hose PU Ø 120 mm	403801	0,2 m
3-N	Dustbin, complete with hose and clamps	403800	1 pc
3-O	Blast vessel complete	See drawing number 4	
3-P	Cyclone door	404500	1 pc
3-Q	Cyclone screen Ø 240 mm	401900	1 pc
3-R	Air adjust slide	404600	1 pc
3-S	Cyclone	404602	1 pc

RESERVDIELSLISTA NORMFINISH DP14



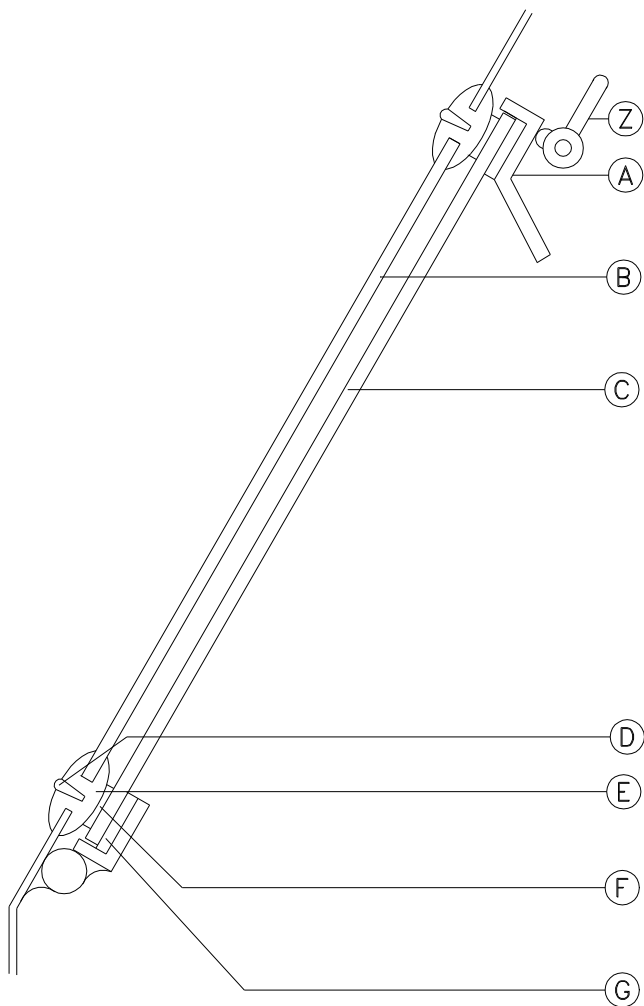
Pos.	Description	Part number	Quantity
4-A	Coupling 3/4" x 22 mm	404102	1 pc
4-B	Plastic tube 22 mm	404603	0,1 m
4-C	Knee joint 3/4" x 22 mm	404103	1 pc
4-D	T-piece 3/4"	404104	1 pc
4-E	Shoulder nipple 3/4"	404101	1 pc
4-F	Ball valve 3/4"	404601	1 pc
4-G	Coupling 3/4" x 22 mm	404102	1 pc
4-H	Air supply tube	408000	1 pc
4-I	Metering ring	407200	1 pc
4-J	Coupling 3/4" x 22 mm	404102	1 pc
4-K	O-ring Ø 35 mm	407700	2 pc
4-L	Mixing tube	407800	1 pc
4-M	Throttle valve 6x1/8"	404400	1 pc
4-N	Coupling	404601	1 pc
4-O	Moisture extractor 3/4"	403900	1 pc
4-P	Connection unit 3/4"		
4-Q	Reducing valve 3/4", remote controlled		
4-R	Shoulder nipple 3/4"	404101	1 pc
4-S	Non-return valve 3/4"	404300	1 pc
4-T	Media discharge nut	404200	1 pc
4-U	Nut M10	406800	6 pc
4-V	Ring M10	406801	6 pc
4-W	Rubber seal ring Ø 120/95x12 mm	406900	1 pc
4-X	Feed valve	407000	1 pc
4-Y	Blast vessel body	407100	1 pc
4-Z	O-ring Ø 53 mm	407300	1 pc
4-AA	O-ring Ø 125 mm	408100	1 pc
4-AB	Socket bolt M6x35 mm	408101	4 pc
4-AC	Metering cylinder	407400	1 pc
4-AD	Rubber seal □ 50 mm	407500	1 pc
4-AE	O-ring Ø 25 mm	407600	1 pc

RESERVDIELSLISTA NORMFINISH DP14



Pos.	Description	Part number	Quantity
5-A	Knee joint ¼" x 6 mm	405600	1 pc
5-B	Air tube (decabon)	405700	0,3 m
5-C	Top seat decompression valve	405800	1 pc
5-D	Bolt M6 x 35 mm including nut	405900	6 pc
5-E	Decompression diaphragm	406000	1 pc
5-F	Bottom seat decompression valve	406100	1 pc
5-G	Hopper protection plate, neoprene	406200	1 pc
5-H	Hopper protection plate, steel	406201	1 pc
5-I	Decompression tube, hardened	406300	1 pc
5-J	Welding socket ¾"	406402	1 pc
5-K	Shoulder nipple ¾"	406500	1 pc
5-L	Hose clamp	406600	2 pc
5-M	Wear resistant hose 1"	406700	1 pc
5-N	Welding coupling 6 mm	406701	1 pc

RESERVDIELSLISTA NORMFINISH DP14



Pos.	Description	Part number	Quantity
6-A	Change frame	405000	1 pc
6-B	Securit view window 656x266 mm	405100	1 pc
6-C	Splash glass 696 x 306 mm	405200	1 pc
6-D	String for window fastening rubber	405300	2,0 m
6-E	Window fastening rubber	405301	2,0 m
6-F	Seal 15 x 5 mm self-adhesive	405400	2,1 m
6-G	Seal 20 x 5 mm self adhesive	405500	2,1 m
6-Z	Cam lock	-----	2 pc

